

1

2

3

4

5

6

7

8

A

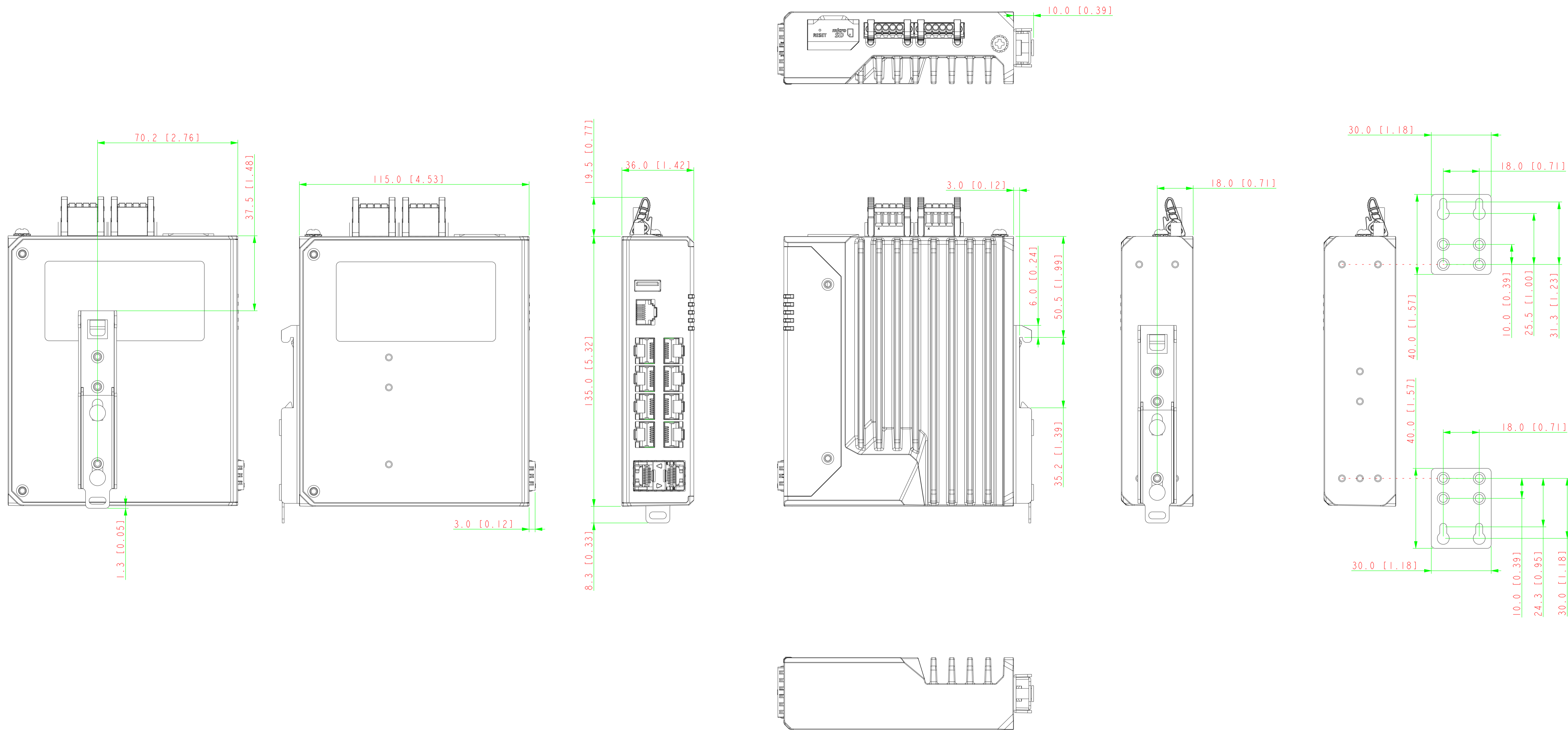
B

C

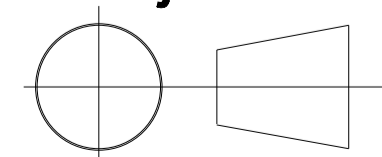
D

E

F



**MOXA**<sup>®</sup>  
 Tel:+886-2-89191230  
 Fax:+886-2-89191231  
 www.moxa.com

Projection  
  
 3rd Angle

Unit	mm
Scale	1.000
Note	

Product Model	TSN-G5008
Drawn Name	DIM_TSN-G5008_